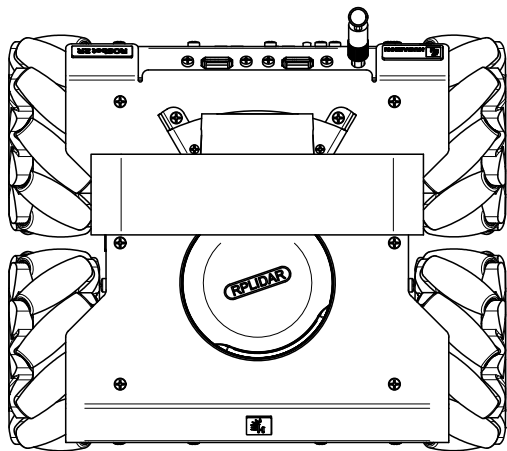
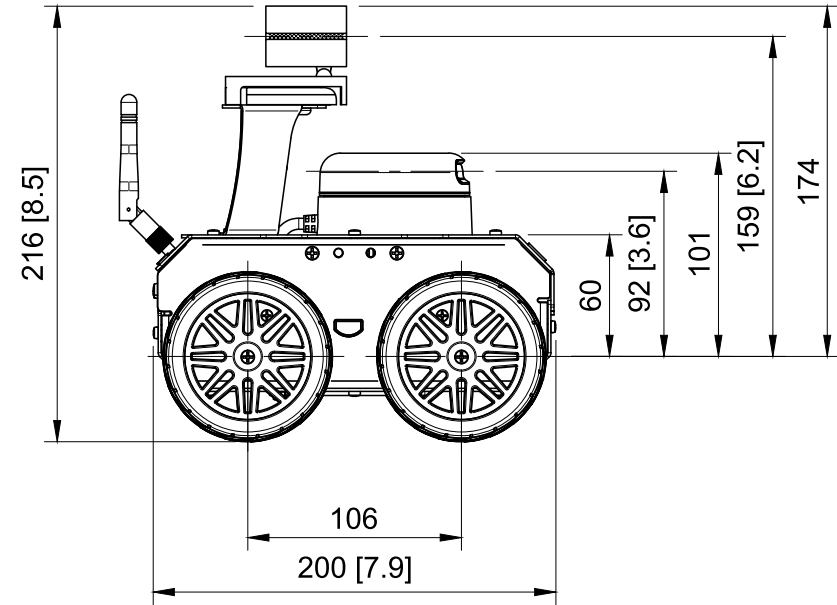
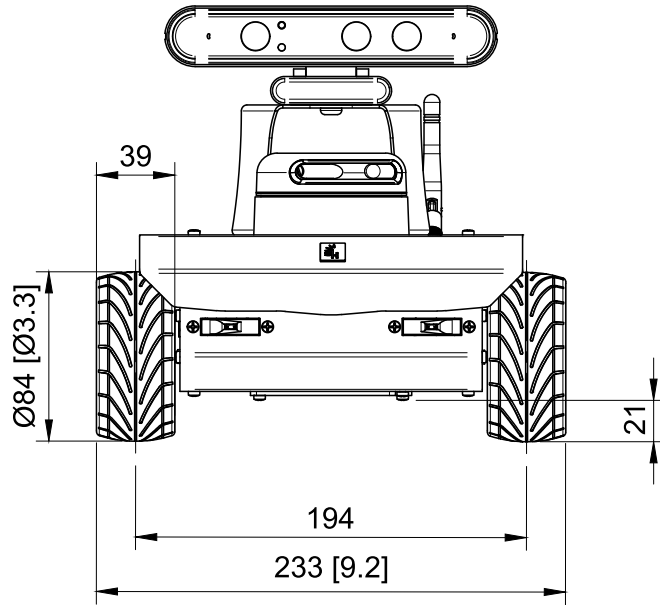


Dimensions in mm [inch]





Dimensions in mm [inch]

