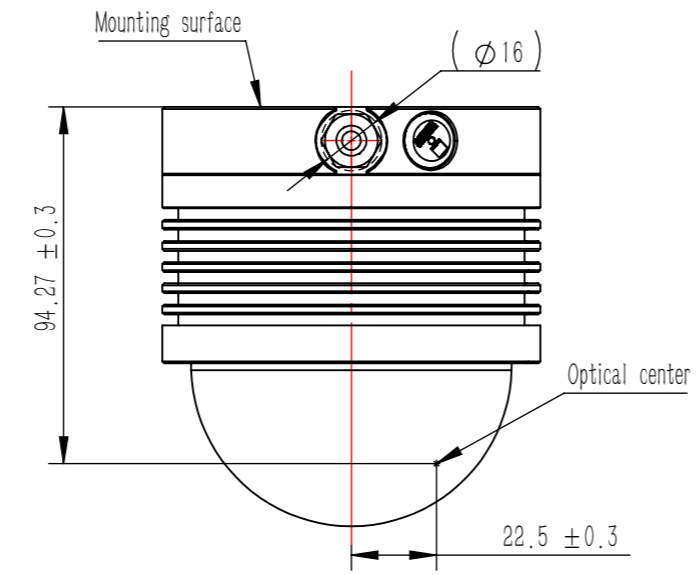
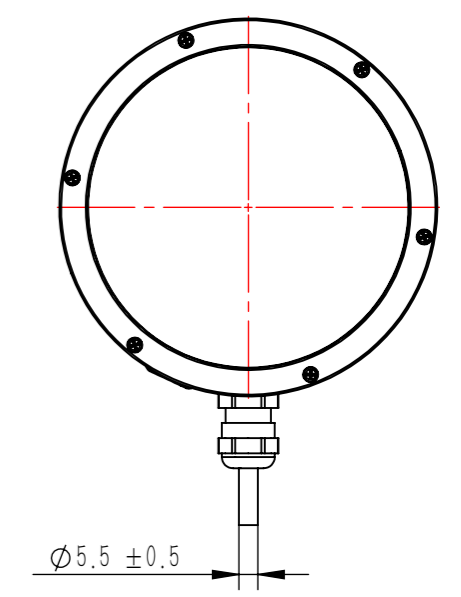
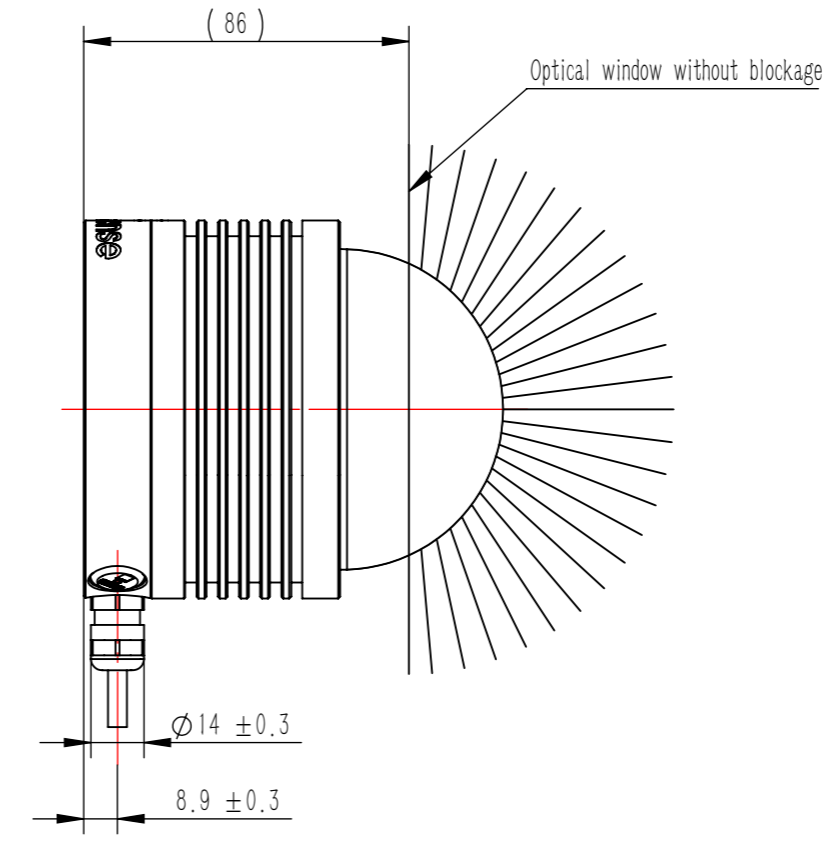
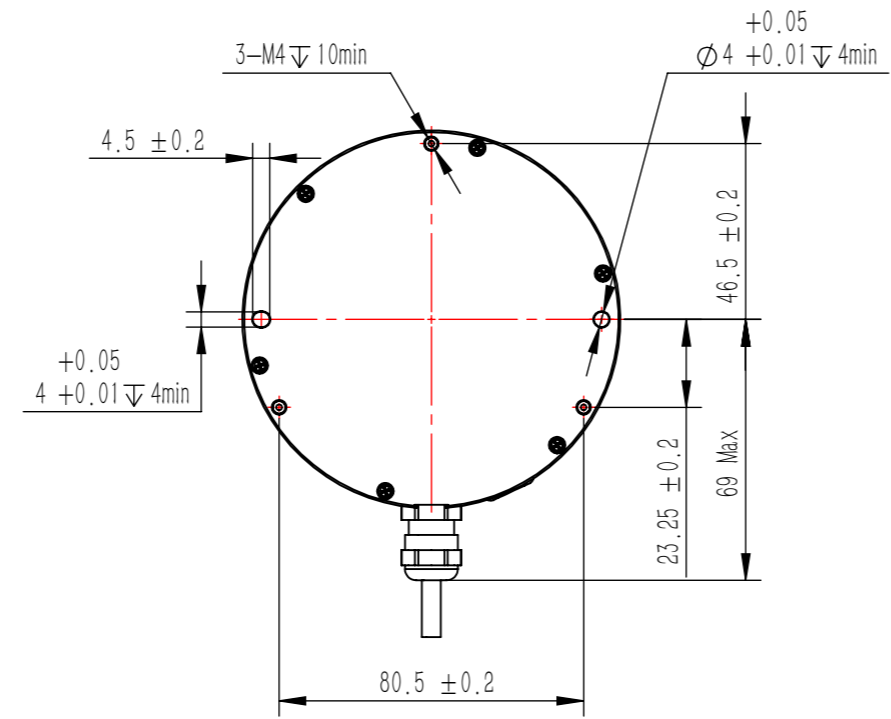
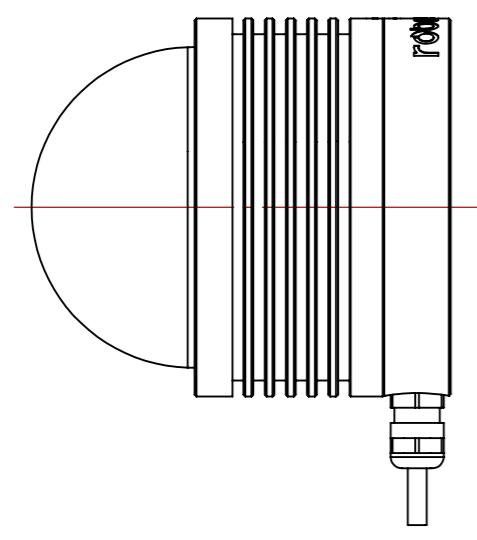
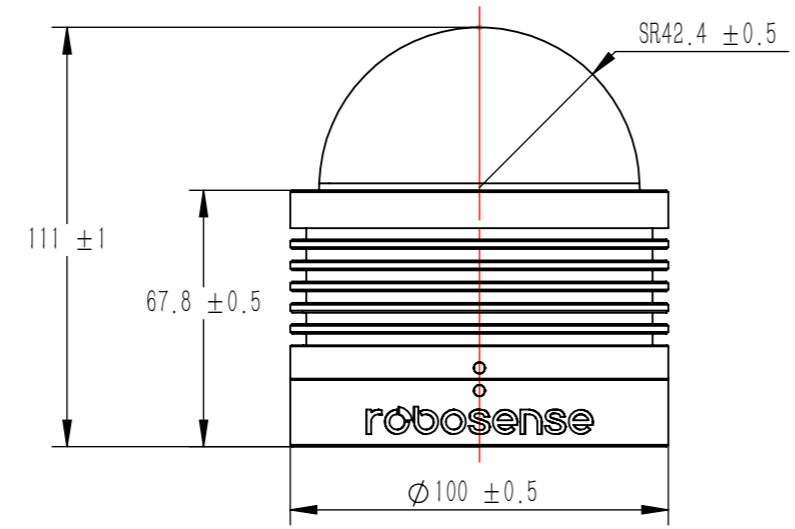


REV	ECN	DESCRIPTION	DESIGN	DATE
A00	/	First issue	Dylan	2020.02.15



- NOTES:
1. Mounting surface level shall have an accuracy less than 0.05.
 2. Please refer to the 3D drawing if there is no marking on the 2D drawing.
 3. The product is compliance with RoHS.

保密:此图及其全部知识产权(含著作权)归深圳市速腾聚创科技有限公司所有。未经深圳市速腾聚创科技有限公司预先书面许可, 严禁出于任何目的, 对此图的全部或部分(包括但不限于图中信息、数据、运算结果等)泄露、使用、拷贝或复制。
 Classified documents, This set of drawing(s) and all its intellectual property rights (including copyright) subsisting herein are property of Suteng Innovation Technology Co., Ltd. No disclosure, use, copies or reproductions should be made of this drawing or any part(s) thereof for whatever purpose nor shall any information, data, calculations, or other contents contained in this drawing be disseminated without prior written permission of Suteng Innovation Technology Co., Ltd.

Unit:mm

APPROVALS		DATE	Suteng Innovation Technology Co., Ltd.					
DESIGN	Dylan	2020.02.15	PART NAME	BP-2V ENVELOPE DRAWING				
CHECK			PART NO.	/				
CHECK			MATERIAL	/		P. CODE	/	
CHECK			SCALE	1:5	WEIGHT	/	SIZE	A3
APPROVAL			QUALITY	/	PROJECTION	⊕	REV	A00
							SHEET	1 OF 1