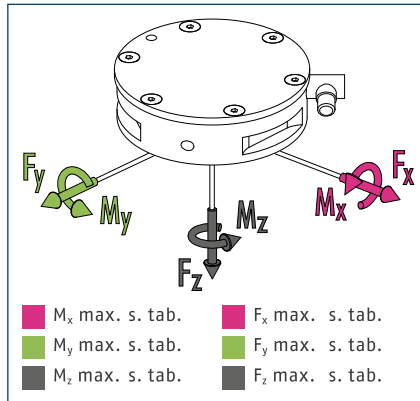


FT Omega85

Measuring | Force / Torque Sensor

Forces and Moments



① For load index see technical data table.

Technical data FTN

Description		FT-Omega85	FT-Omega85	FT-Omega85
Calibration		SI-475-20	SI-950-40	SI-1900-80
Evaluation via		Ethernet	Ethernet	Ethernet
Weight	[kg]	0.658	0.658	0.658
Measuring range F_x, F_y	[N]	±475	±950	±1900
Measuring range F_z	[N]	±950	±1900	±3800
Measuring range M_x, M_y	[Nm]	±20	±40	±80
Measuring range M_z	[Nm]	±20	±40	±80
Overload F_x, F_y	[N]	±13000	±13000	±13000
Overload F_z	[N]	±27000	±27000	±27000
Overload M_x, M_y	[Nm]	±500	±500	±500
Overload M_z	[Nm]	±610	±610	±610
Resonant Frequency F_x, F_y, M_z	[Hz]	2100	2100	2100
Resonant Frequency F_z, M_x, M_y	[Hz]	3000	3000	3000
Resolution F_x, F_y	[N]	1/14	1/7	2/7
Resolution F_z	[N]	3/28	3/14	3/7
Resolution M_x, M_y	[Nm]	5/1496	5/748	5/374
Resolution M_z	[Nm]	7/2992	7/1496	7/748

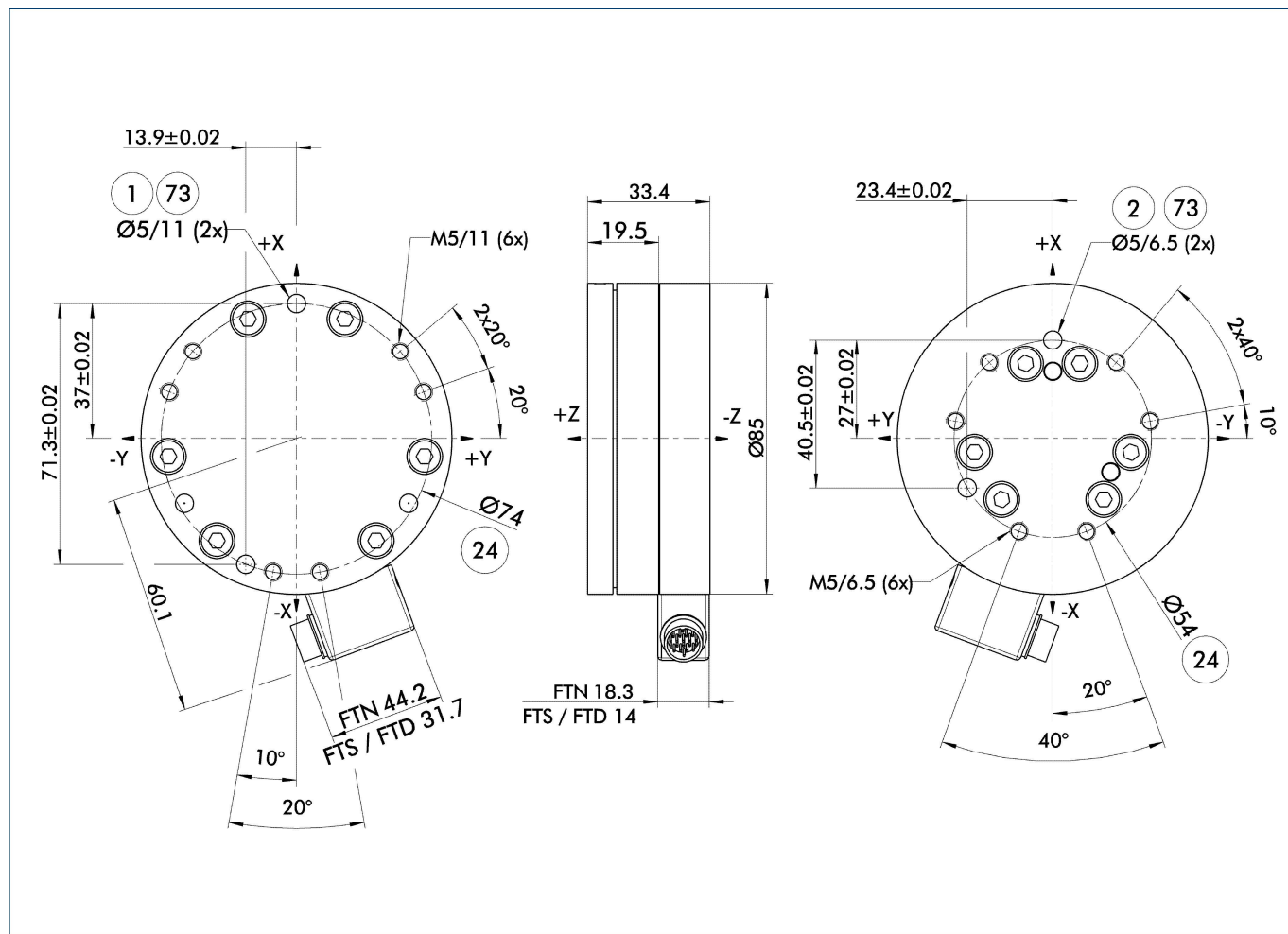
Technical data deviating from FTD

Description		FT-Omega85	FT-Omega85	FT-Omega85
Evaluation via		DAQ	DAQ	DAQ
Resolution F_x, F_y	[N]	1/14	1/7	2/7
Resolution F_z	[N]	3/28	3/14	3/7
Resolution M_x, M_y	[Nm]	5/1496	5/748	5/374
Resolution M_z	[Nm]	7/2992	7/1496	7/748

Technical data deviating from FTS

Description		FTS-Omega85	FT-Omega85	FT-Omega85
Evaluation via		Stand-Alone	Stand-Alone	Stand-Alone
Resolution F_x, F_y	[N]	1/7	2/7	4/7
Resolution F_z	[N]	3/14	3/7	6/7
Resolution M_x, M_y	[Nm]	5/748	5/374	5/187
Resolution M_z	[Nm]	7/1496	7/748	7/374

Main view



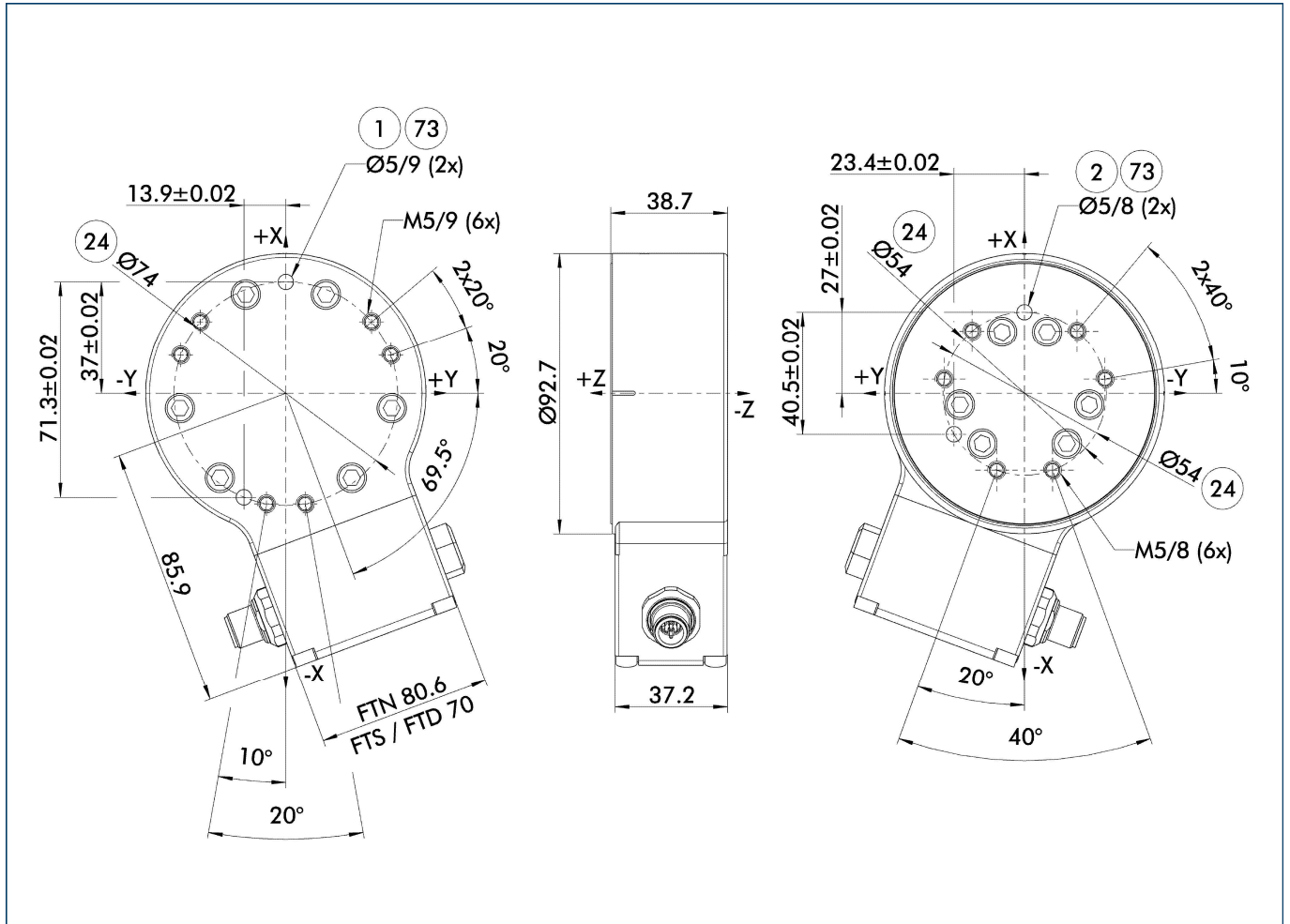
The main view shows the unit in its basic version.

- ① Robot side connection
- ② Tool side connection
- ②④ Bolt circle
- ⑦③ Fit for a centering pin

FT Omega85

Measuring | Force / Torque Sensor

IP65 / IP68 main view



The main view shows the product with IP-protection.

- ① Robot side connection
- ② Tool side connection
- ④ Bolt circle
- ⑦ Fit for a centering pin