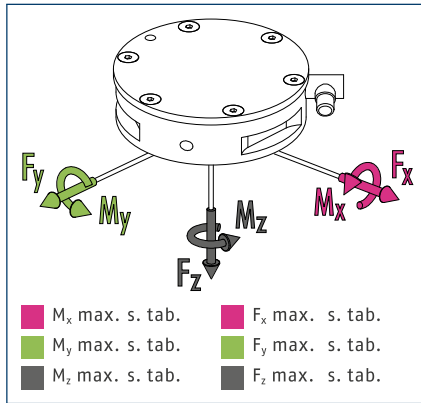


# FT Nano17

Measuring | Force / Torque Sensor

## Forces and Moments



① For load index see technical data table.

## Technical data FTN

Description		FTN-Nano-17	FTN-Nano-17	FTN-Nano-17
Calibration		SI-12-0.12	SI-25-0.25	SI-50-0.5
Evaluation via		Ethernet	Ethernet	Ethernet
Weight	[kg]	0.0091	0.0091	0.0091
Measuring range $F_x, F_y$	[N]	$\pm 12$	$\pm 25$	$\pm 50$
Measuring range $F_z$	[N]	$\pm 17$	$\pm 35$	$\pm 70$
Measuring range $M_x, M_y$	[Nm]	$\pm 0.12$	$\pm 0.25$	$\pm 0.5$
Measuring range $M_z$	[Nm]	$\pm 0.12$	$\pm 0.25$	$\pm 0.5$
Overload $F_x, F_y$	[N]	$\pm 350$	$\pm 350$	$\pm 350$
Overload $F_z$	[N]	$\pm 800$	$\pm 800$	$\pm 800$
Overload $M_x, M_y$	[Nm]	$\pm 2.6$	$\pm 2.6$	$\pm 2.6$
Overload $M_z$	[Nm]	$\pm 3.1$	$\pm 3.1$	$\pm 3.1$
Resonant Frequency $F_x, F_y, M_z$	[Hz]	7200	7200	7200
Resonant Frequency $F_z, M_x, M_y$	[Hz]	7200	7200	7200
Resolution $F_x, F_y$	[N]	1/320	1/160	1/80
Resolution $F_z$	[N]	1/320	1/160	1/80
Resolution $M_x, M_y$	[Nmm]	1/64	1/32	1/16
Resolution $M_z$	[Nmm]	1/64	1/32	1/16

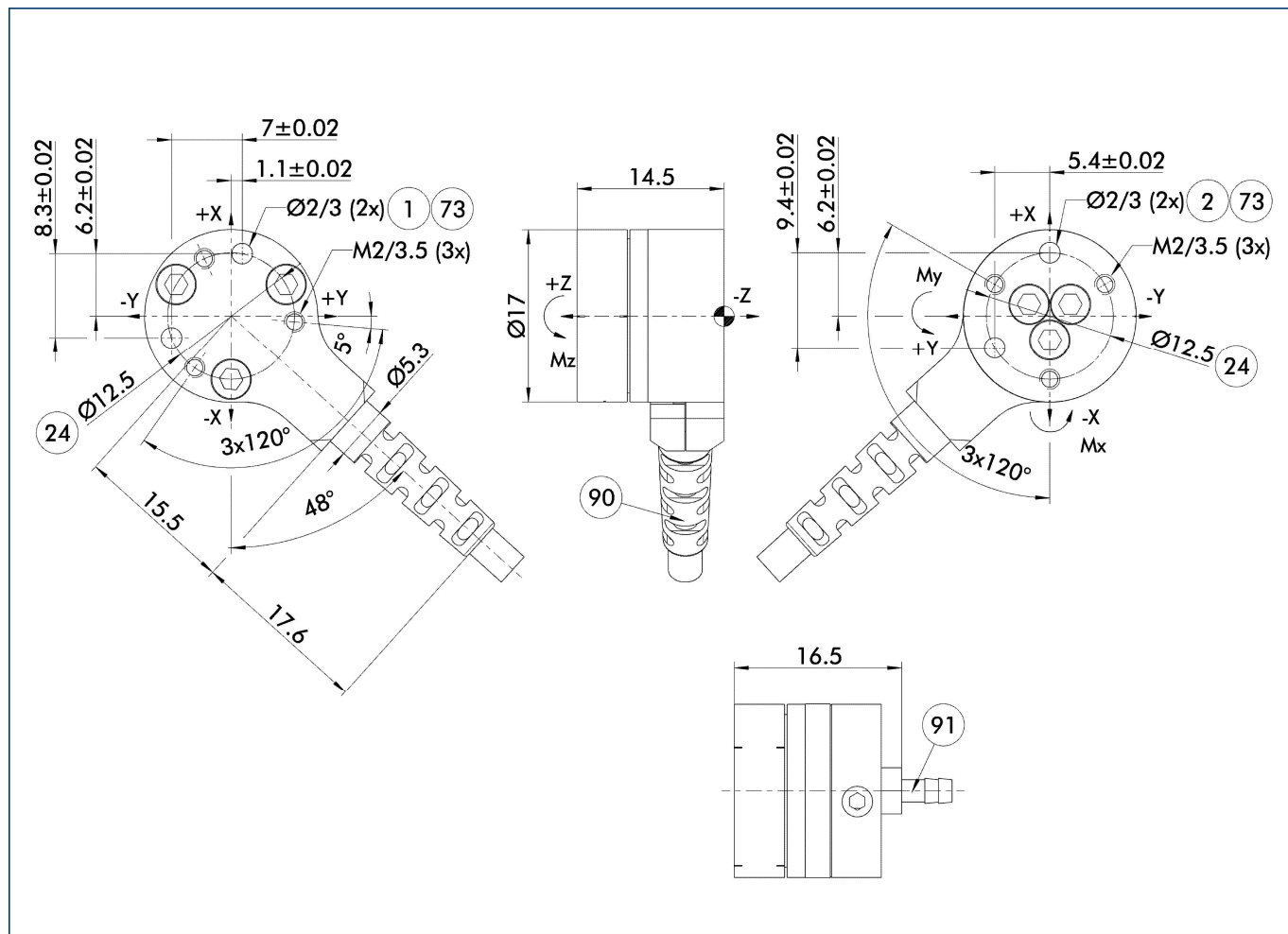
### Technical data deviating from FTD

Description		FTD-Nano-17	FTD-Nano-17	FTD-Nano-17
Evaluation via		DAQ	DAQ	DAQ
Resolution $F_x, F_y$	[N]	1/320	1/160	1/80
Resolution $F_z$	[N]	1/320	1/160	1/80
Resolution $M_x, M_y$	[Nmm]	1/64	1/32	1/16
Resolution $M_z$	[Nmm]	1/64	1/32	1/16

### Technical data deviating from FTS

Description		FTS-Nano-17	FTS-Nano-17	FTS-Nano-17
Evaluation via		Stand-Alone	Stand-Alone	Stand-Alone
Resolution $F_x, F_y$	[N]	1/160	1/80	1/40
Resolution $F_z$	[N]	1/160	1/80	1/40
Resolution $M_x, M_y$	[Nmm]	1/32	1/16	1/8
Resolution $M_z$	[Nmm]	1/32	1/16	1/8

Main view



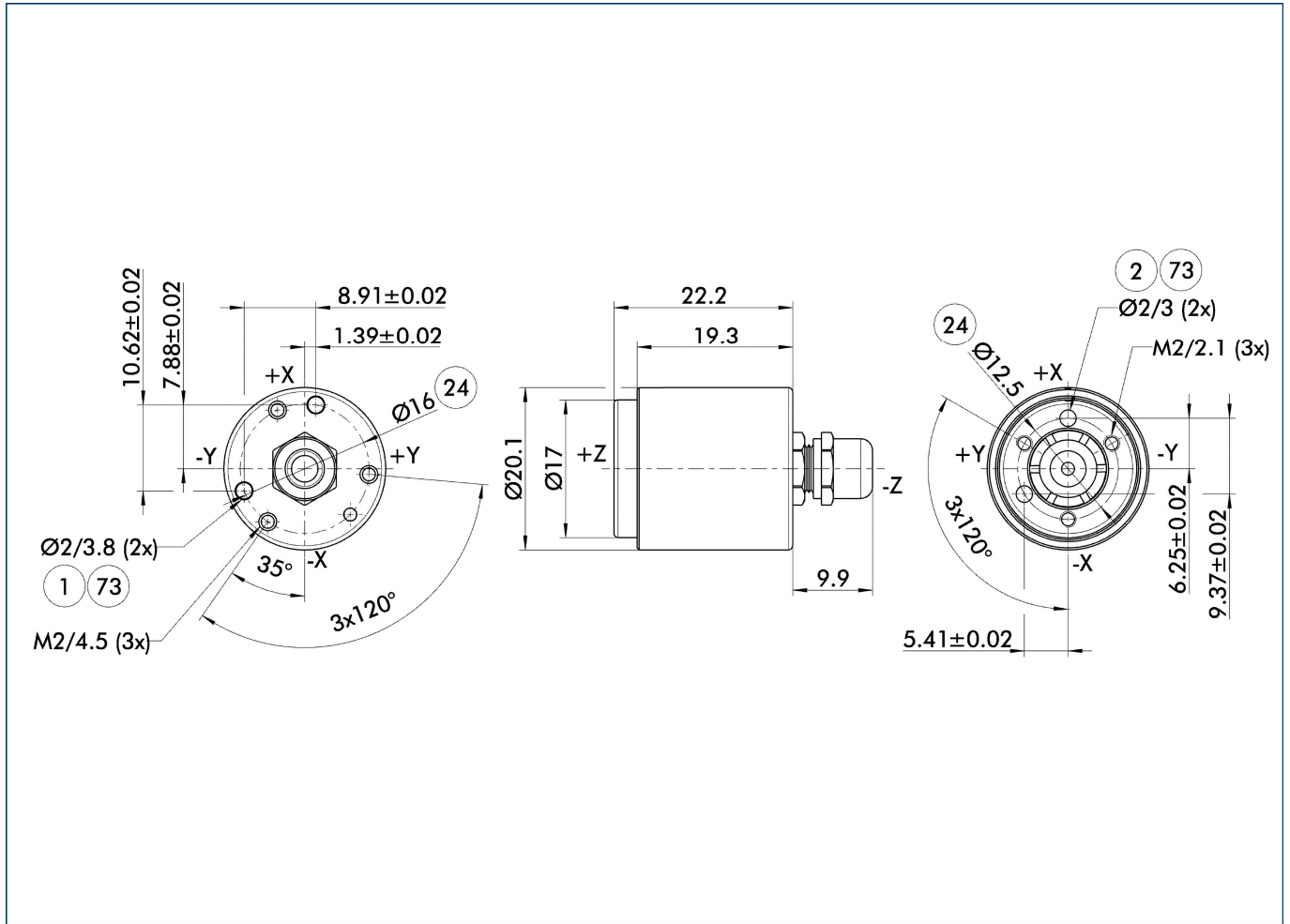
The main view shows the unit in its basic version.

- ① Robot side connection
- ② Tool side connection
- ②④ Bolt circle
- ⑦③ Fit for a centering pin
- ⑨⑩ Radial cable outlet with strain relief
- ⑨① Axial cable outlet

# FT Nano17

Measuring | Force / Torque Sensor

## IP65 / IP68 main view



The main view shows the product with IP-protection.

- ① Robot side connection
- ② Tool side connection
- ②④ Bolt circle
- ②⑦③ Fit for a centering pin