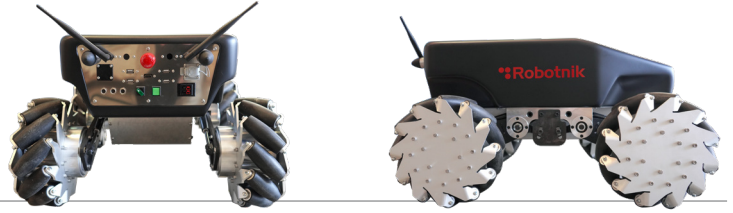


SUMMIT-XL
AUTONOMOUS MOBILE ROBOT (AMR)



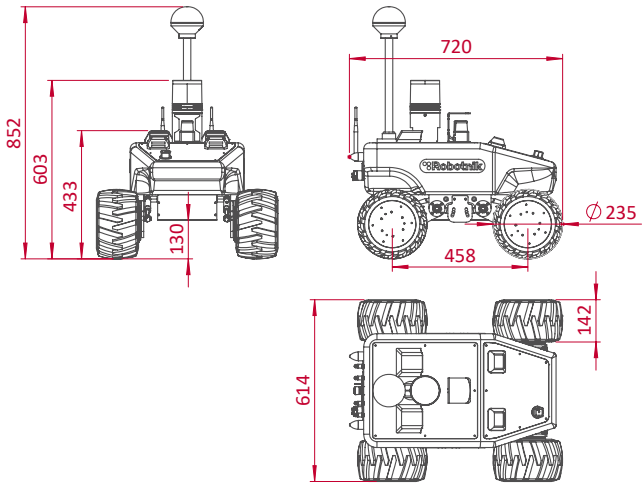
VERSATILITY & HIGH MOBILITY

INDOOR & **OUTDOOR**
APPLICATIONS

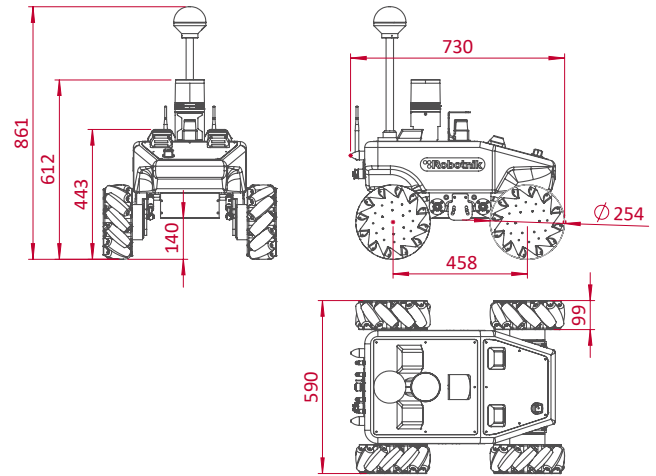
TWO KINEMATIC CONFIGURATIONS
WITH **RUBBER** OR **MECANUM**
WHEELS

RESEARCH & DEVELOPMENT
SURVEILLANCE & INSPECTION
REMOTE MONITORING
ACCESS TO HAZARDOUS AREAS





Rubber wheels



Mecanum wheels

TECHNICAL SPECIFICATIONS

MECHANICAL

Dimensions (Rubber wheels)	720 x 614 x 416 mm
Weight	65 Kg
Load capacity	50 Kg
Speed	3 m / s
Ambient	Indoor / Outdoor
Enclosure class	IP50 (IP53 weatherproof optional)
Autonomy	Up to 5 h
Batteries	LiFePO₄ 15Ah@48V
Traction system	Skid steering / omni directional (mecanum)
Traction motors	4 x 500 W brushless servomotors
Temperature range	-10° to +45°C
Max. slope	80 %

CONTROL

Controller	Open architecture ROS Integrated PC with Linux
Communication	WiFi 802.11n
Connectivity	Internal: USB, RS232 and GPIO External: USB, RJ45, 12 VDC and battery