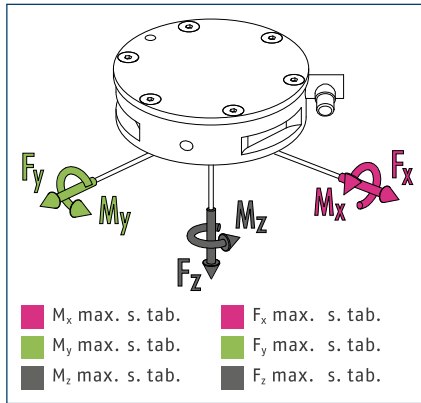


FT Nano25

Measuring | Force / Torque Sensor

Forces and Moments

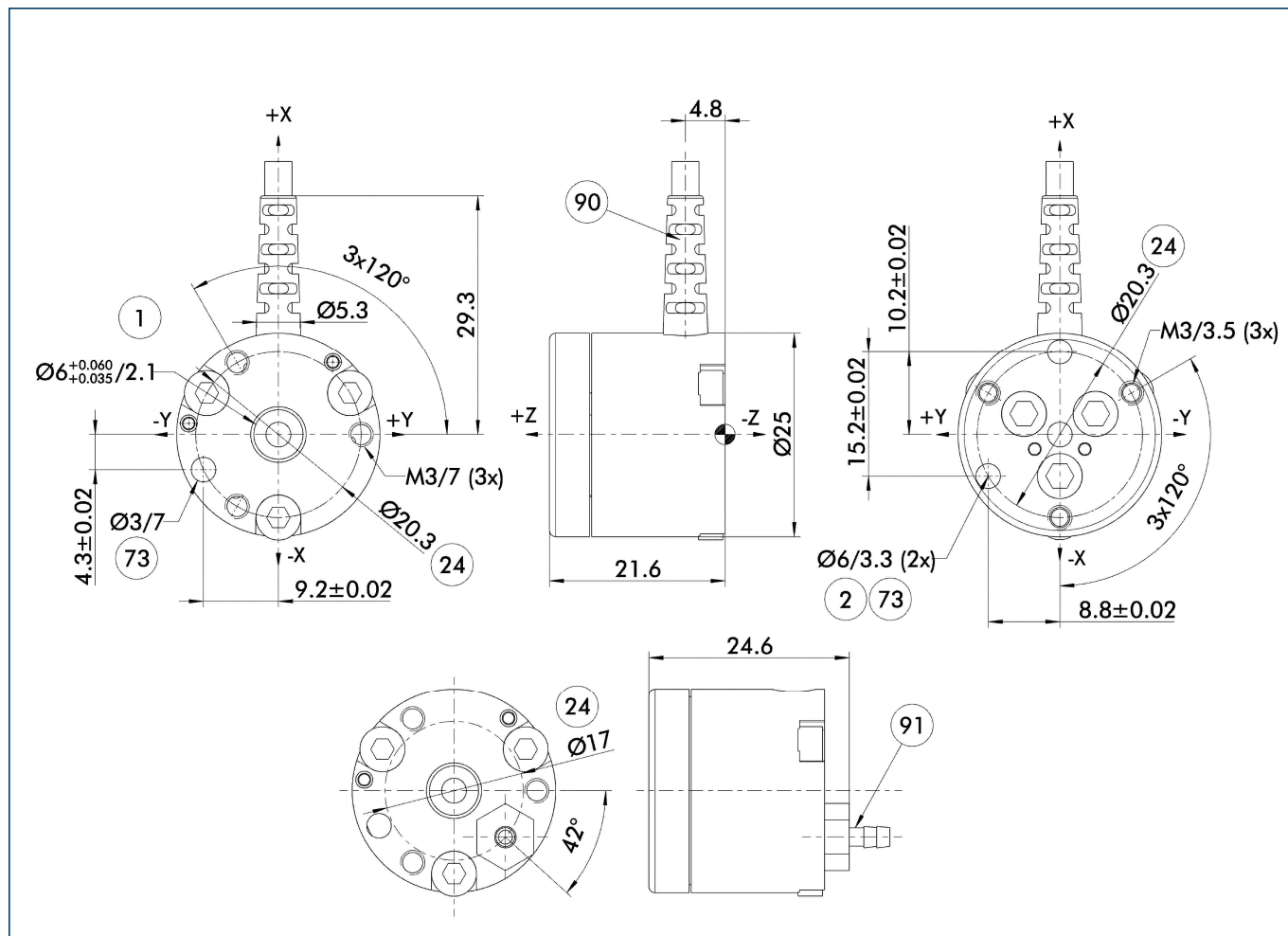


① For load index see technical data table.

Technical data FTN

Description		FTN-Nano-25	FTN-Nano-25
Calibration		SI-125-3	SI-250-6
Evaluation via		Ethernet	Ethernet
Weight	[kg]	0.063	0.063
Measuring range F_x, F_y	[N]	±125	±250
Measuring range F_z	[N]	±500	±1000
Measuring range M_x, M_y	[Nm]	±3	±6
Measuring range M_z	[Nm]	±3	±3.4
Overload F_x, F_y	[N]	±2300	±2300
Overload F_z	[N]	±7300	±7300
Overload M_x, M_y	[Nm]	±43	±43
Overload M_z	[Nm]	±63	±63
Resonant Frequency F_x, F_y, M_z	[Hz]	3600	3600
Resonant Frequency F_z, M_x, M_y	[Hz]	3800	3800
Resolution F_x, F_y	[N]	1/48	1/24
Resolution F_z	[N]	1/16	1/8
Resolution M_x, M_y	[Nm]	1/1320	1/660
Resolution M_z	[Nm]	1/2640	1/1320
Technical data deviating from FTD			
Description		FTD-Nano-25	FTD-Nano-25
Evaluation via		DAQ	DAQ
Resolution F_x, F_y	[N]	1/48	1/24
Resolution F_z	[N]	1/16	1/8
Resolution M_x, M_y	[Nm]	1/1320	1/660
Resolution M_z	[Nm]	1/2640	1/1320
Technical data deviating from FTS			
Description		FTS-Nano-25	FTS-Nano-25
Evaluation via		Stand-Alone	Stand-Alone
Resolution F_x, F_y	[N]	1/24	1/12
Resolution F_z	[N]	1/8	1/4
Resolution M_x, M_y	[Nm]	1/660	1/330
Resolution M_z	[Nm]	1/1320	1/660

Main view



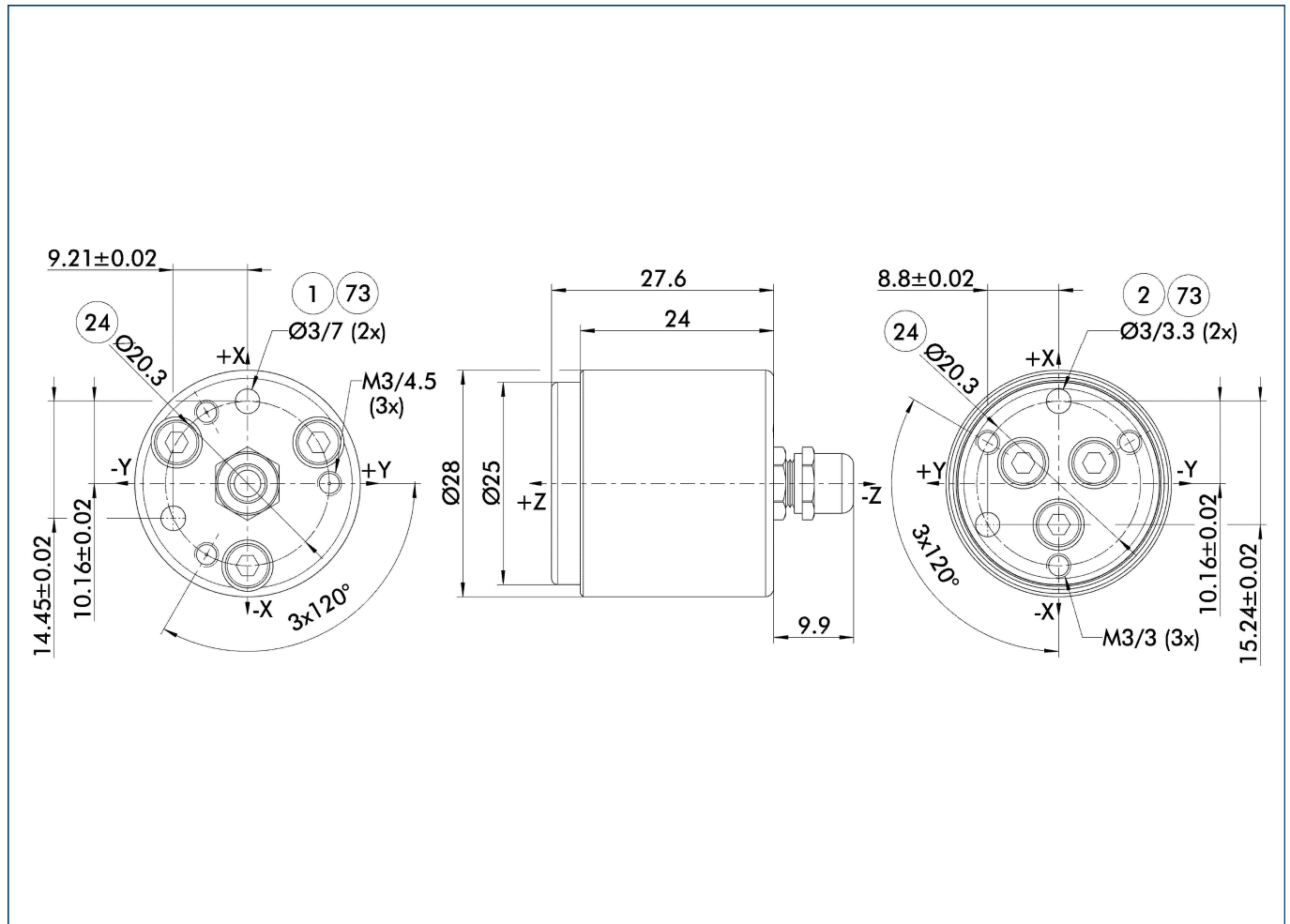
The main view shows the unit in its basic version.

- ① Robot side connection
- ② Tool side connection
- ②4 Bolt circle
- ⑦3 Fit for a centering pin
- ⑨0 Radial cable outlet with strain relief
- ⑨1 Axial cable outlet

FT Nano25

Measuring | Force / Torque Sensor

IP65 / IP68 main view



The main view shows the product with IP-protection.

- | | |
|-------------------------|----------------------------|
| ① Robot side connection | ②④ Bolt circle |
| ② Tool side connection | ⑦③ Fit for a centering pin |