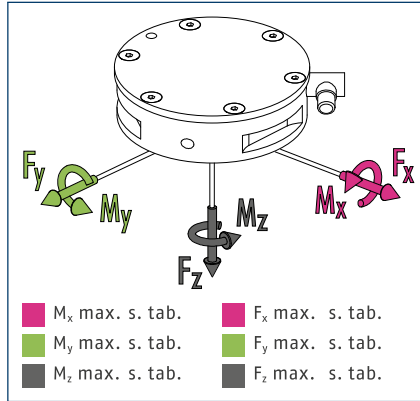


FT Gamma

Measuring | Force / Torque Sensor

Forces and Moments

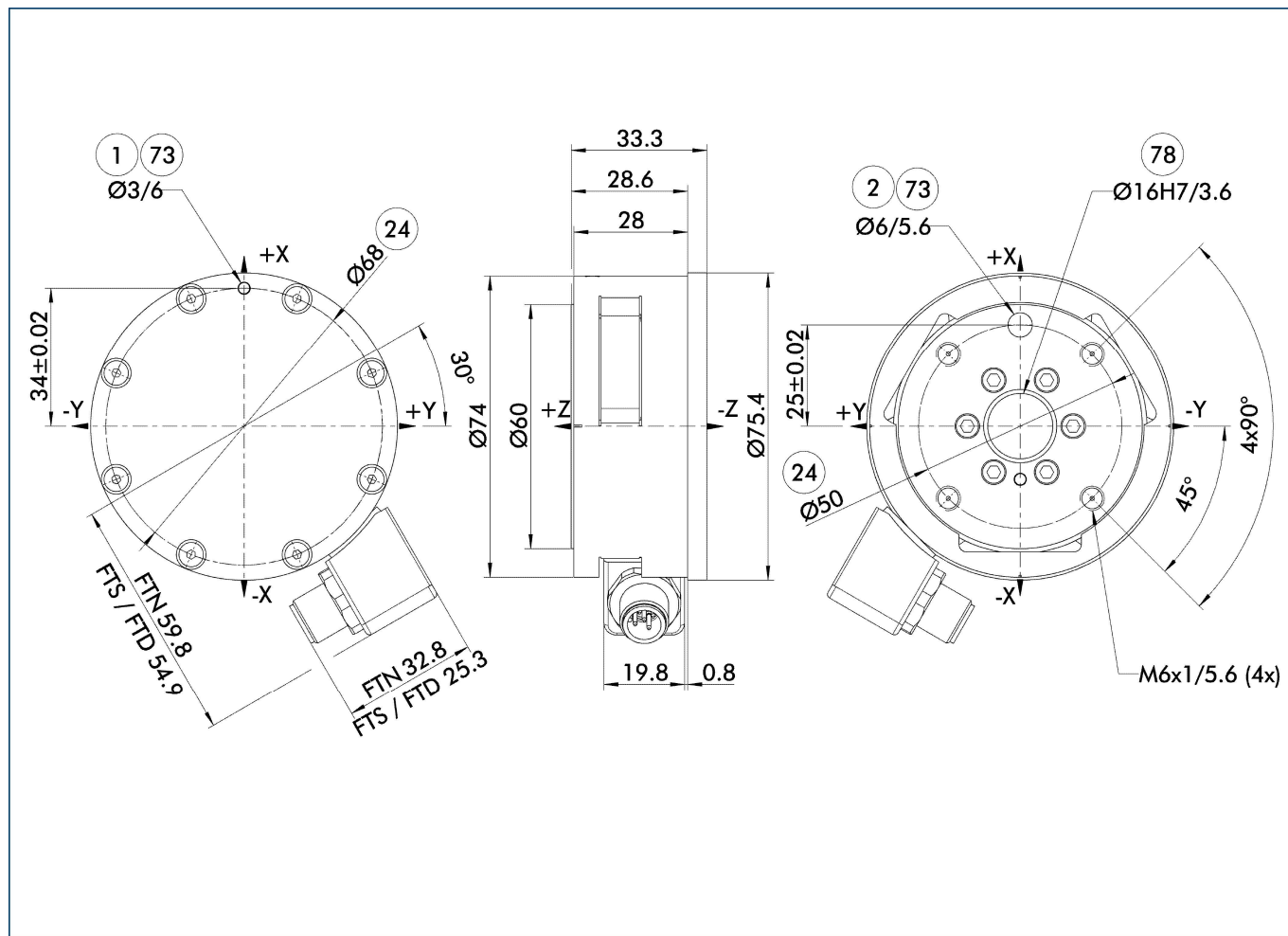


① For load index see technical data table.

Technical data FTN

Description		FTN-Gamma	FTN-Gamma	FTN-Gamma
Calibration		SI-32-2.5	SI-65-5	SI-130-10
Evaluation via		Ethernet	Ethernet	Ethernet
Weight	[kg]	0.225	0.225	0.225
Measuring range F_x, F_y	[N]	±32	±65	±130
Measuring range F_z	[N]	±100	±200	±400
Measuring range M_x, M_y	[Nm]	±2.5	±5	±10
Measuring range M_z	[Nm]	±2.5	±5	±10
Overload F_x, F_y	[N]	±1200	±1200	±1200
Overload F_z	[N]	±4100	±4100	±4100
Overload M_x, M_y	[Nm]	±79	±79	±79
Overload M_z	[Nm]	±82	±82	±82
Resonant Frequency F_x, F_y, M_z	[Hz]	1400	1400	1400
Resonant Frequency F_z, M_x, M_y	[Hz]	2000	2000	2000
Resolution F_x, F_y	[N]	1/160	1/80	1/40
Resolution F_z	[N]	1/80	1/40	1/20
Resolution M_x, M_y	[Nm]	1/2000	10/13333	1/800
Resolution M_z	[Nm]	1/2000	10/13333	1/800
Technical data deviating from FTD				
Description		FTD-Gamma	FTD-Gamma	FTD-Gamma
Evaluation via		DAQ	DAQ	DAQ
Resolution F_x, F_y	[N]	1/160	1/80	1/40
Resolution F_z	[N]	1/80	1/40	1/20
Resolution M_x, M_y	[Nm]	1/2000	10/13333	1/800
Resolution M_z	[Nm]	1/2000	10/13333	1/800
Technical data deviating from FTS				
Description		FTS-Gamma	FTS-Gamma	FTS-Gamma
Evaluation via		Stand-Alone	Stand-Alone	Stand-Alone
Resolution F_x, F_y	[N]	1/80	1/40	1/20
Resolution F_z	[N]	1/40	1/20	1/10
Resolution M_x, M_y	[Nm]	1/1000	5/3333	1/400
Resolution M_z	[Nm]	1/1000	5/3333	1/400

Main view



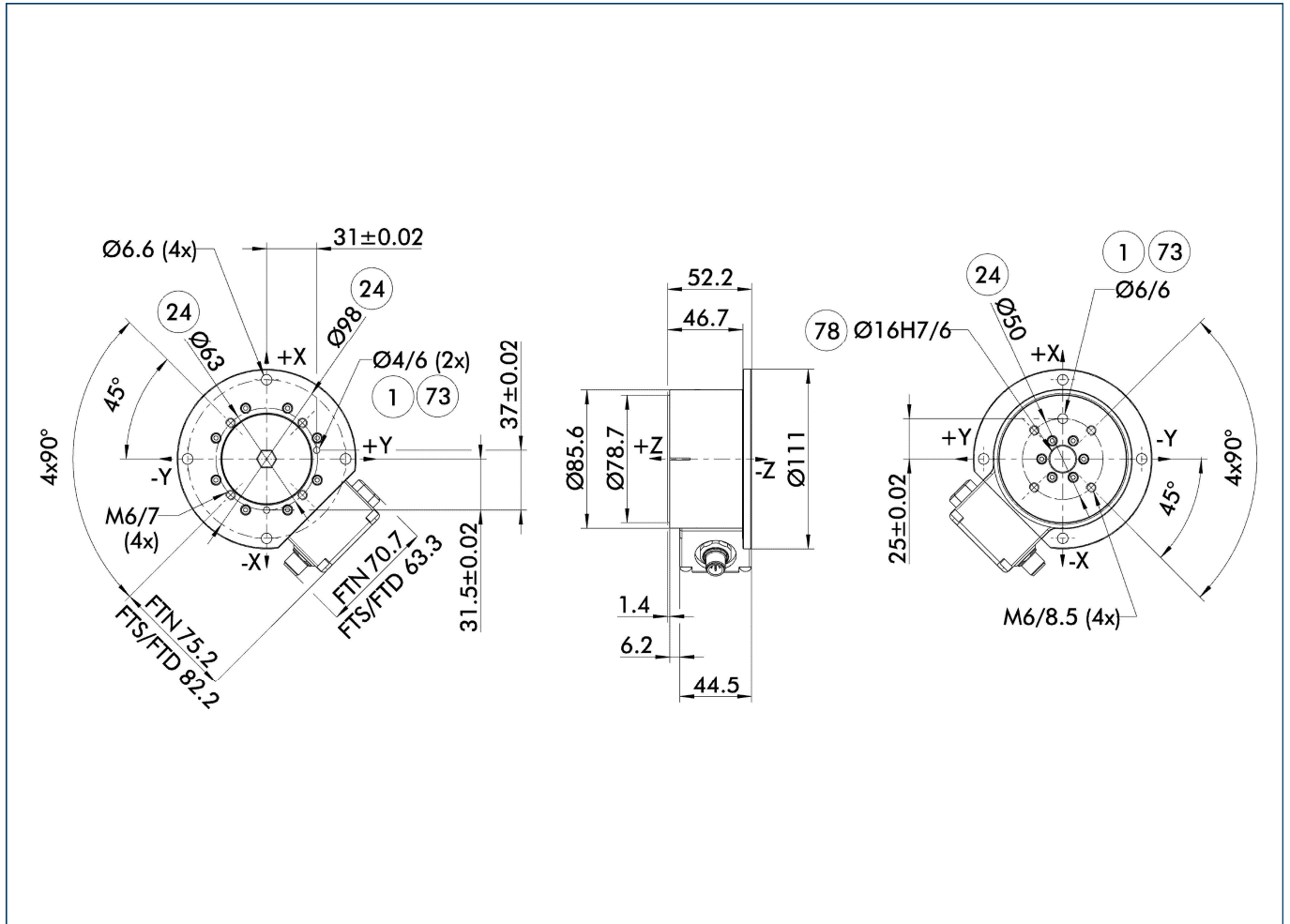
The main view shows the unit in its basic version.

- ① Robot side connection
- ② Tool side connection
- ②④ Bolt circle
- ⑦③ Fit for a centering pin
- ⑦⑧ Fitting for centering

FT Gamma

Measuring | Force / Torque Sensor

Main view IP65



The main view shows the product with IP-protection.

- ① Robot side connection
- ② Tool side connection
- ②4 Bolt circle
- ⑦3 Fit for a centering pin
- ⑦8 Fitting for centering